

R600 PROFILE PROJECTOR

The Baty R600 with its 600mm (24") screen and high specification, presents the capability to make simple comparative non-contact measurement through to complex CNC programmed measuring sequences with SPC capability.

The horizontal light beam configuration is ideally suited to large machined or turned workpieces for mounting in vee blocks and centres, or customised features.

Standard features

- 600mm (24") screen with 90° cross lines and chart clips
- Heavy duty workstage with 450mm x 200mm (18" x 8") measuring range and 2 machine slots for workpiece holders
- Angular rotation of $\pm 15^\circ$ on workstage for measuring threadforms or cutting tools
- Vertical 200mm (8") Y axis power driven with joystick control
- Lens magnification choice – x5, x10, x20, x25, x50, x100
- 4 position rotating lens turret for ease of lens changing
- Profile illumination with halogen lamp and green filter
- Screen hood and curtains for use in bright ambient light conditions
- Digital angle measurement

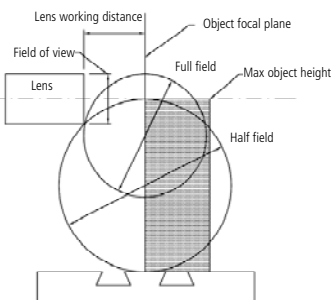


R600 GXL

Optional features

- Horizontal axis motorisation via joystick control
- CNC workstage for automatic measuring
- Internally fitted automatic edge sensor to allow the use of overlay charts on an unobstructed screen
- Various electronic measuring systems to suit your individual requirements
- SPC to add to your quality control without the purchase of a separate system
- Reduced workstage X axis travel to 300mm (12")

Horizontal stage systems



R600 Lens Working Capacity mm / (inches)

Magnification	x5	x10	x20	x25	x50	x100
Field of view	120 (4.72)	60 (2.36)	30 (1.18)	24 (.94)	12 (.47)	6 (1.72)
Workpiece distance	245 (9.64)	135 (5.31)	132 (5.19)	106 (4.17)	93 (3.15)	50 (1.96)
Max work diameter (Full field)	292 (9.64)	343 (13.50)	343 (13.50)	343 (13.50)	343 (13.50)	195 (7.75)
Max work diameter (Half field)	406 (18.98)	343 (13.50)	343 (13.50)	343 (13.50)	343 (13.50)	235 (9.25)

Basic Machine

Type	Floor standing with horizontal light path
Screen	Rotating 600mm (24") diameter, vertical
Image	Erect, reversed left to right
Power supply	220 / 240 volt 50Hz or 110 volt 60Hz
Weight	550kg (1200lb)

The basic R600 model consists of

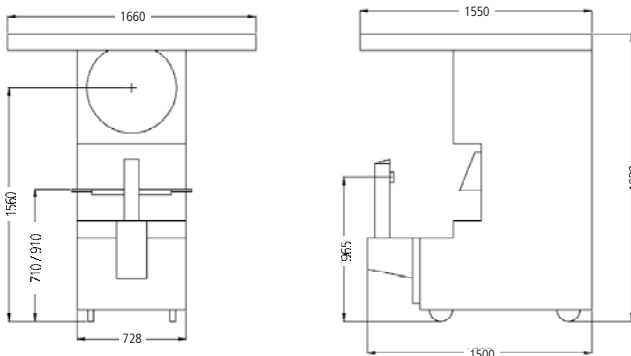
- 600mm (24") diameter translucent screen with chart clips
- Digital angle measurement, with 1 minute of arc resolution
- Profile illumination with fan cooled lamphouse
- Lens turret with 4 lenses
- Standard and high magnification collimation lenses
- Workstage with 450 x 200mm (18" x 8") travel
- Motorised Y axis (vertical) with joystick control
- Green filter
- Fibre optic surface illumination
- Screen hood and curtains

Workstage

Measuring range	Horizontal (X) axis 450mm (18") x Vertical (Y) axis 200mm (8") Optional X axis travel 300mm (12")
Surface area	900mm (36") x 200 (8")
Movement	Horizontal manual (option: motorised). Vertical motorised by joystick control
Scale resolution	0.0005mm
Max load	50kg (110lb)

Optical System

Lens mount	Rotary lens turret for 4 lenses with screw fitting
Lens magnification	x5 (single lens mount) x10, x20, x25, x50, x100
Focusing	By hand wheel
Helix adjustment	± 15° rotation of workstage
Light source	Profile illumination 24v 150w Surface illumination 24v 250w
Options	Internally mounted edge sensor Footswitch control



Measuring options

XL5: A simple 2 axis digital readout for X&Y measurement

GXL: Incorporates geometric functions for skew alignment, angle radii measurement, pitch circle diameter and construction of intersect points etc

GXL-E: As GXL with screen mounted automatic profile edge sensor. As an option the sensor can be fitted internally

Fusion 2: Fusion PC based measuring system produces dimensioned part drawing, includes geometric tolerancing, SPC, full reporting with pass / fail analysis, auto Excel™ link and auto sequence program

Fusion 2-E: As Fusion 2 with screen mounted automatic profile edge sensor. As an option the sensor can be mounted externally.

Fusion-2-CNC: Fusion PC based measuring system, motorised X & Y axis with joystick control and CNC position programming for automatic measuring, produces dimensioned part drawing. Includes geometric functions and tolerancing, SPC, full reporting with pass/fail analysis, auto Excel link & auto sequence program, includes external edge sensor.

Accessories

See page 80.



Standard and high magnification collimation lenses are included in a rotary mounting.